

Cabinet Cooler Sizing Guide

Don't wait to get answers! Call +65 6392 2552 or

FAX US THE FACTS!

Get a fast response by FAXING this sheet to **Filtro Pte Ltd** at +65 6392 4456 **NOW!**

Name: _____

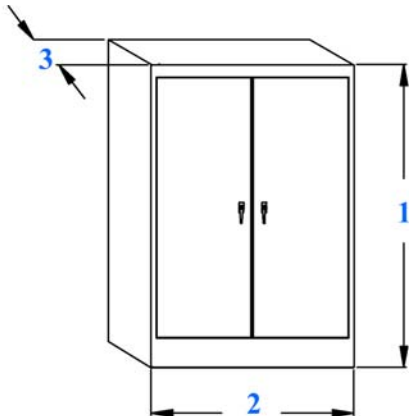
Company: _____

Address: _____

Phone: (_____) _____ Ext. _____

Fax: (_____) _____ E-mail: _____

I have completed the information above. I want to know which EXAIR Cabinet Cooler is the best choice for my control panel. Please contact me.



1. Height of cabinet? _____

2. Width of cabinet? _____

3. Depth of cabinet? _____

4. External temperature now? _____ °F °C

5. Internal Temperature now? _____ °F °C

6. Maximum external temperature possible? _____ °F °C

7. Maximum internal temperature desired? _____ °F °C

8. My cabinet rating is:

- NEMA 12
- NEMA 4
- NEMA 4X

9. My cabinet is (check all that apply):

- Vented – outside air circulates through the enclosure
- Not vented – outside air does not circulate through the enclosure
- Free standing
- Wall mounted



Filtro Pte Ltd
7 Kallang Place #04-08
Singapore
339153
Tel: +65 6392 2552
Fax: +65 6392 4456